

# Hydrostatic Paver Finisher

## Model: UWP03

# UNITER®

www.uniter.in

sanjay@uniter.in

+91 9913733555



Since 1973  
Our paver machines conforms  
the norms specified by  
**CENTRAL MOTOR**  
**VEHICLE RULES**  
and is tested and approved by  
**ARAI With BS4 Engine**

### Salient Features:

- Good Quality
- User Friendly Operating System
- Easy Operation & Maintenance
- Reliable Service
- Fair Price Practice
- Economical Performance



Transmission	Hydrostatic	Wheels on rear axle	Two wheels
Engine Power	74.5 hp @ 2200 rpm	Conveyor Drive	Hydraulic
Laying Capacity	150 TPH	Operator Seat	Double
Hopper Capacity	4.25 m <sup>3</sup>	Material Suitability	
Paving Width	2.5 m to 4.5 m	Option 1:	Bituminous material
Weight	10,400 kg	Option 2:	Bituminous, Wet mix, GSB, DLC, DBM material

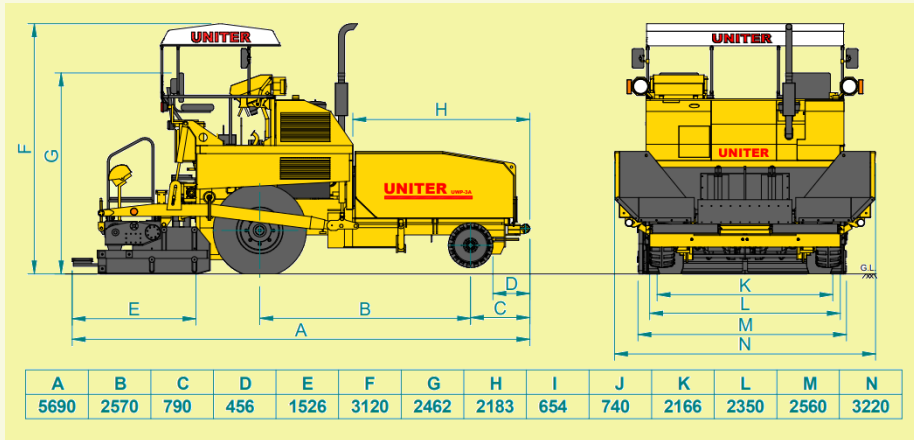
**INDIAN MACHINES, DELIVERING BEYOND EXPECTATIONS.**

# Hydrostatic Paver Finisher

## Model: UWP03



### DESIGN AND SPECIFICATIONS



\* Dimension shown in above figure are measured in mm.

#### POWER UNIT

Engine	Kirloskar make water-cooled electric start diesel engine, Model 4R1190NA1, 74.5 hp (54.8 kW) @ 2200 rpm or equivalent
Electrical System	12 V DC
Emission Standard	BS-IV
Speed Reduction Gearbox	Two speed reduction gearbox to achieve low speed for paving and high speed for traveling

#### PERFORMANCE

Laying suitability	Option 1: Bituminous material Option 2: Bituminous, Wet mix, GSB, DLC, DBM material (Dual Purpose)
Laying Capacity	125 TPH
Laying Thickness	200 mm (Max) to 10 mm (Min) 8" (Max) to 3/8" (Min)
Transmission	Hydrostatic
Working Speed	0 to 36 m/min (Max.)
Travelling Speed	0 to 17 km/hr (Max.)
Weight	10,400 kg (22,930 lb.) approx.
Slope & Grade Control	Manual Mode
Maintenance Shutters	On two side of machine
Traction & Conveyor Pump - Motor	Danfoss Power Solutions, Germany or equivalent

#### SCREED

Screed width	2.5 m (8' 2 1/2") basic width, Hydraulically extendable up to 4.5 m (14' 9 1/8")
Crown (Manual)	-1° / +4°
Screed Heating	Yes, with 8 LPG burner facility
Screed Vibration	Yes
Screed Tamping	No. Available on request

#### UNDER CARRIAGE

Rear Wheel	Two no. Pneumatic Tyre Size: 12.00 x 20
Front Wheel	Two no. Solid Rubber Tyre 550 Dia. x 300 mm wide

#### REFILL CAPACITIES

Fuel	142 L (37.5 gal)
Hydraulic Oil	240 L (63.4 gal)
Cooling System	8.0 L (2.1 gal)
Engine Oil	13.0 L (3.4 gal)

#### MACHINERY ACCESSORIES

Canvas Canopy; Working & Traveling Lights; Tool Kit with Jack; Horn

#### OPERATOR STATION

Control Panel Type	Sliding
Operator Seat	Double Operator Seat
Travelling Function	Left & Right side
Operating Function	Left & Right side
Steering	Hydraulic
Brake	Service Brake: Caliper disc brake on both the sides Secondary Brake: Hydraulic Type Parking Brake: Caliper disc brake

#### CONVEYOR & AUGER SYSTEM

Conveyor & Auger	2 Sets, one on each side
Conveyor Drive	Hydraulic
Conveyor Control	A. ON / OFF on operator panel B. Auto from operator panel C. Manual override on screed panel D. Reverse conveyor operation from main control panel
Auger Screw Size	Dia 250 mm (10")
Auger Material	Ni-Hard / High Chromium Steel Material

#### HOPPER & FEEDING SYSTEM

Hopper Operation	Hydraulic
Hopper Capacity	4.25 m <sup>3</sup> (151 ft <sup>3</sup> )
Hopper Width	Working: 3.22 m (10' 6 3/4") Closed: 2.44 m (8' 1/8")
Feed Tunnel Width	1.28 m (4' 2 3/8")

#### DIMENSIONS

Operating Height	3.12 m (10' 2 7/8")
Shipping Height (canopy tilted)	2.58 m (8' 5 7/8")
(w/o canopy & exhaust)	2.46 m (8' 1/8")
Shipping Width	2.56 m (8' 4 3/4")
Length (Tractor unit + screed)	5.69 m (18' 8")
Wheel Base	2.57 m (8' 5 1/8")
Dump Height	0.74 m (2' 5 1/8")
Thrust Roller Height	0.65 m (2' 1 5/8")

#### OTHER FEATURES

All operating levers including panel switch board are handy and within easy reach; All gears and shafts of gear box are made from alloy steel and are hardened and ground for efficient working; Screed is vibrated with hydraulic motor to compact laid layer; All jacks are having same kind of seal kit (Piston seal and rod seal of PU material).

(Note: Specification / description / dimensions are indicative and subject to change without notice due to modification alteration or custom engineering.)

#### Location

#### UNITER ENGINEERING PRODUCTS

Plot no. 79, Sub Plot 'D'

Opp. Aabad Bakery, Near Water Tank Phase- 1,

GIDC Vatva Ahmedabad 382445 Gujarat State (India)

→ Managing Partner

👤 Mr. Vishva Sureliya

☎ +91 95740 16603

✉ vishva@uniter.in

→ Sales Manager

👤 Mr. Shyam Thakore

☎ +91 98256 33682

✉ mktg@uniter.in